

Kubota



KUBOTA ULTRA-COMPACT EXCAVATOR

K

K008-3

Spacious, comfortable, and more productive, yet it fits in the tightest spaces. The K008-3 sets the standard for all ultra-compact excavators.



*This information is sourced from overseas and may not necessarily apply locally. It is essential that you confirm specifications and other information with your local Kubota dealer.

TJ4 TIER

Kubota raises the bar again with the spacious K008-3 ultra-compact excavator.



For sheer productivity, no other ultra-compact excavator measures up to the K008-3. By upgrading it in the essential areas of performance, durability, serviceability, and comfort, the spacious K008-3 outperforms the competitors in a wide range of construction and building work.

K008-3

Clean-running Kubota Engine

Complies with Tier IV!

Powerful and dependable, the K008-3's diesel engine delivers superior horsepower and performance. It offers low noise and vibration levels, exceptional fuel efficiency, and complies with the U.S. EPA's 2008 Tier IV emissions regulations.



TPSS

Allows the operator to choose either ISO or SAE control patterns. Requires approximately 5 minutes to make the minor mechanical change.



Handy toolbox

To help you perform basic maintenance, the K008-3 comes complete with a toolbox conveniently located under the operator's seat.



Straight wall trenching

Equipped with a swing angle of up to 60 degrees, the K008-3 lets you dig a straight trench along any wall.

Coolant temperature gauge

The new coolant temperature gauge helps prevent the engine from overheating by keeping you informed. Located close to the control levers, a warning lamp lights up when the coolant temperature rises to 115 degrees, and turns off when it falls to 108 degrees or below.

Improved hose and boom cylinder protection

All the hydraulic hoses hidden within the boom and dipper arm. With the cylinder mounted on top of the boom, the K008-3 increases service life by offering outstanding protection from damage.



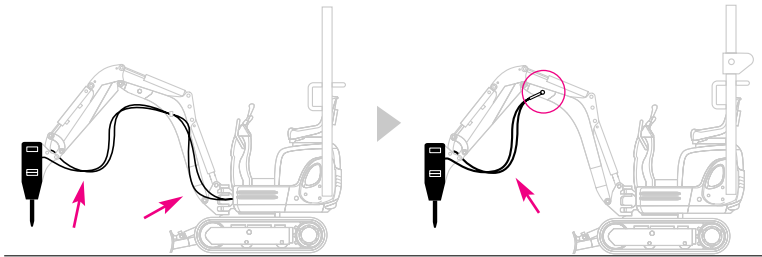
Protected bucket hoses

By running inside the dipper arm, the bucket hoses are also well protected from damage.

With increased space in the operator's area, you'll get the job done faster and in comfort.

Protected auxiliary hoses

By routing its auxiliary hydraulic hoses through the boom, the K008-3 no longer requires lengthy hoses when connecting your implements. Furthermore, a shorter hose length greatly reduces the risk of snagging and causing damage.



K008-3

Two-speed travel

Need to make up time? Step on the K008-3's hi-speed pedal, and you'll maneuver around job sites faster than any other compact excavator in its class.



Two-way lever

Located within easy reach, it lets you switch between control of the blade or the adjustable track width.



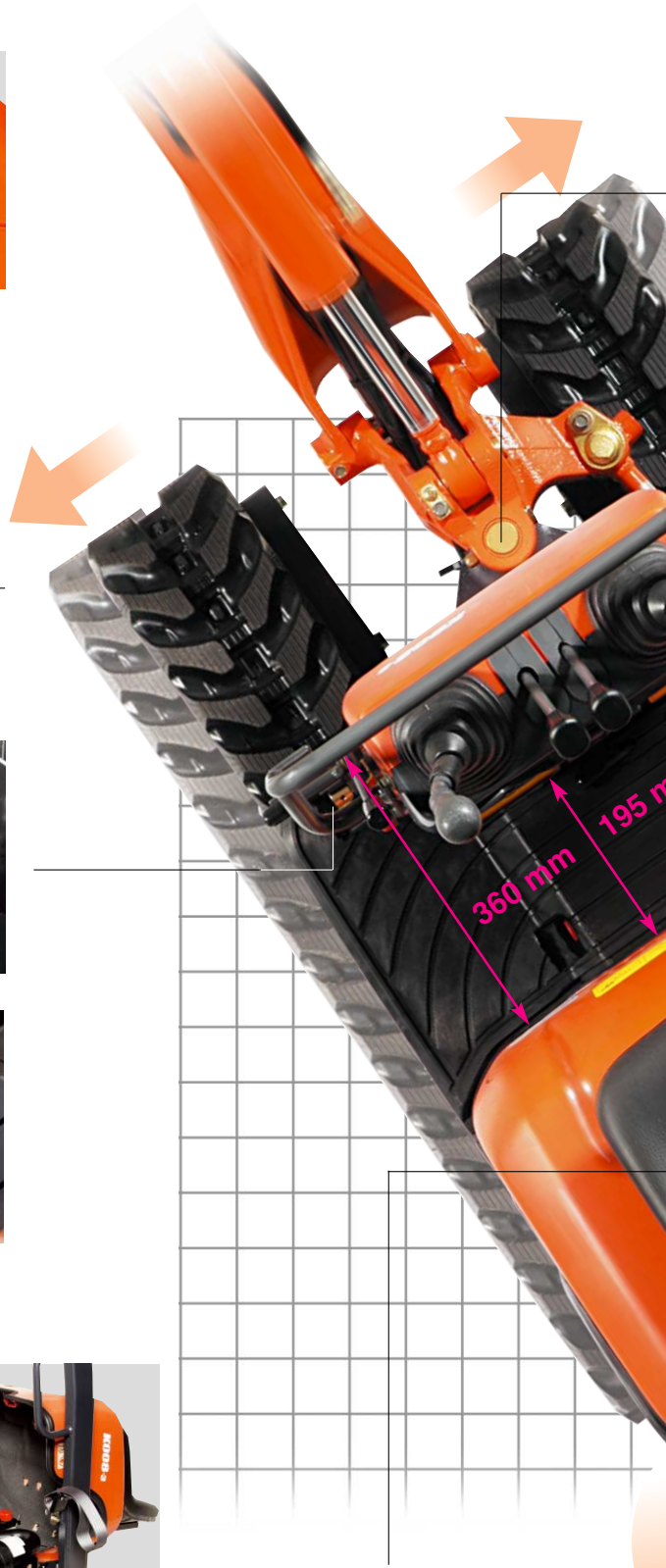
Fast and easy maintenance

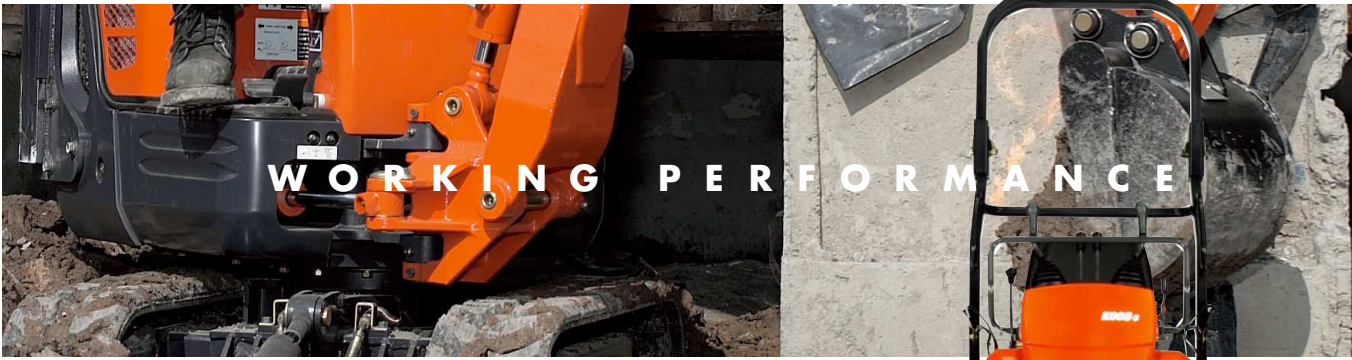
A full-open bonnet and new engine layout makes daily inspection and maintenance of essential components a snap. Both features now provide you with easy access to the radiator, battery, coolant, fuel filter, and dual-element air-cleaner.



Comfortable operator's seat

Well padded and contoured, you'll truly appreciate the comfort of its operator's seat, especially during long days of operation.





Swing bracket pin bushings

To increase life of components, swing bracket pins have bushings.

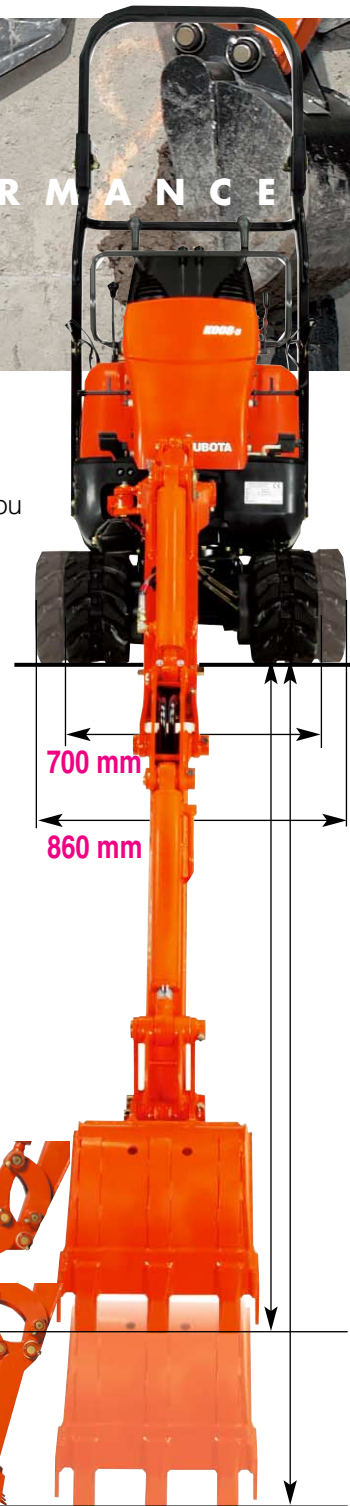
Spacious operator's area

You'll find it more comfortable behind the operating levers of the K008-3. That's because we've generously increased the space between the operating levers and the operator's seat, and lengthened the floorboards.



Pedal-operated boom swing

A convenient toe-heel pedal lets you easily operate the boom swing.



Wider working range

For maximum productivity, its digging/dumping heights, digging depths, and digging radius at ground level have all been increased.

1,375 mm

1,715 mm

Adjustable width track frame

To enable passage through narrow spaces such as doorways and gates, the adjustable width track frame can reduce the K008-3's track width down to 700 mm by simply operating a single lever. Plus, changing the blade width is as easy as removing one pin by hand.



Reliable Kubota E-TVCS engine

Super dependable and efficient, the combustion created by our engine's unique Three Vortex Combustion System reduces exhaust emission, noise, and vibration.

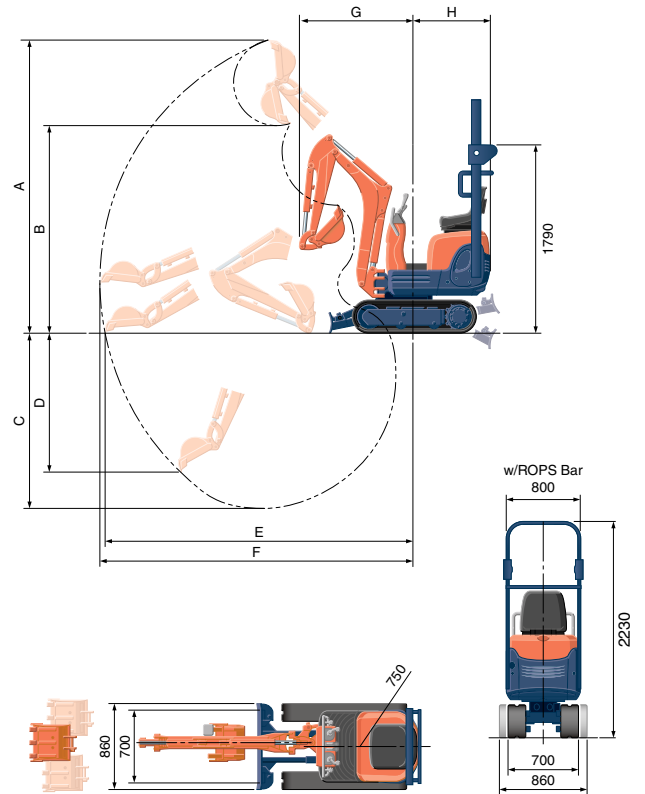
KUBOTA ULTRA-COMPACT EXCAVATOR

SPECIFICATIONS

Model		K008-3		
Type of tracks		Rubber		
Engine	Model	Kubota D722-E3		
	Output (SAEJ 1995 gross) HP (kW)/rpm	10.3 (7.7) / 2050		
	Output (SAEJ 1349 net) HP (kW)/rpm	10.1 (7.5) / 2050		
Dimensions	Displacement	cc	719	
	Overall length	mm	2750	
	Overall height	mm	2230	
	Overall width	mm	860 / 700	
	Min. ground clearance	mm	150	
Hydraulic system	Pump capacity	ℓ/min	21.0	
	Auxiliary hydraulic flow	ℓ/min	21.0	
	Max. breakout force	Bucket	kgf	1000
		Arm	kgf	460
Drive system	Travel speed	km/h	2.0 / 4.0	
	Max. traction force	kgf	770	
	Tumbler distance	mm	900	
	Crawler length	mm	1230	
	Shoe width	mm	180	
	Ground contact pressure	kgf/cm ²	0.25	
Swing system	Unit swing speed	rpm	8.3	
	Boom swing angle	Left	degree	55
		Right	degree	60
Blade	Dimensions	Width	mm	700 / 860
		Height	mm	200
	Max. lift above ground	mm	200	
	Max. drop below ground	mm	180	
Hydraulic oil (reservoir/system)		ℓ/min	12.5 / 17.0	
Fuel reservoir		ℓ/min	12.0	
Operating weight				
Including operator's weight 80 kg.		kgs	1000	

*Specifications are subject to change without notice for purpose of improvement.

DIMENSIONS



Unit: mm

LIFTING CAPACITY

LIFT POINT HEIGHT (m)	LIFTING CAPACITY OVER-FRONT BLADE DOWN				LIFTING CAPACITY OVER-FRONT BLADE UP				LIFTING CAPACITY OVER-SIDE				
	unit=ton				unit=ton				unit=ton				
	LIFT POINT RADIUS (m)				LIFT POINT RADIUS (m)				LIFT POINT RADIUS (m)				
	1.2	1.8	2.5	MAX	1.2	1.8	2.5	MAX	1.2	1.8	2.5	MAX	
1.8	-	0.20	-	-	-	0.20	-	-	-	0.17	-	-	
1.2	-	0.23	0.21	0.20	-	0.21	0.13	0.12	-	0.17	0.10	0.10	
0.6	0.54	0.30	0.21	0.19	0.36	0.19	0.13	0.11	0.28	0.16	0.10	0.09	
GL	0	0.55	0.31	0.19	0.17	0.32	0.18	0.12	0.11	0.25	0.14	0.10	0.09

Machine with ROPS canopy and rubber crawler, without bucket

WORKING RANGE

A	Max. digging height	mm	2870	
B	Max. dumping height	mm	2035	
C	Max. digging depth	mm	1715	
D	Max. vertical digging depth	mm	1375	
E	Max. digging radius @ ground	mm	3025	
F	Max. digging radius	mm	3075	
G	Min. turning radius	W/o swing	mm	1120
		With swing	mm	955
H	Min. tail turning radius	mm	750	

The company reserves the right to change the above specifications without notice. This brochure is for descriptive purpose only. Please contact your local Kubota dealer for warranty information. For your safety, Kubota strongly recommends the use of a Rollover Protective structure (ROPS) and seat belt almost all applications.

©2007 Kubota Corporation



KUBOTA Tractor Australia Pty Ltd

Freecall: 1800 334 653

Email: sales@kubota.com.au

Web Site: <http://www.kubota.com.au>